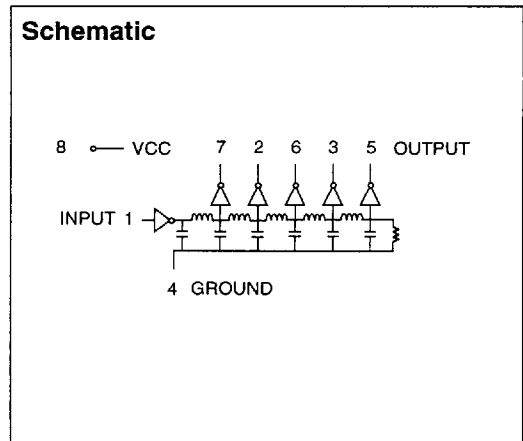


SMD 8 Pin 5 Tap TTL Compatible Active Delay Lines

TAP DELAYS ±5% or ±2 nS†	TOTAL DELAYS ±5% or ±2 nS†	PART NUMBER	TAP DELAYS ±5% or ±2 nS†	TOTAL DELAYS ±5% or ±2 nS†	PART NUMBER
5, 10, 15, 20	25	EPA1140-25	30, 60, 90, 120	150	EPA1140-150
6, 12, 18, 24	30	EPA1140-30	35, 70, 105, 140	175	EPA1140-175
7, 14, 21, 28	35	EPA1140-35	40, 80, 120, 160	200	EPA1140-200
8, 16, 24, 32	40	EPA1140-40	45, 90, 135, 180	225	EPA1140-225
9, 18, 27, 36	45	EPA1140-45	50, 100, 150, 200	250	EPA1140-250
10, 20, 30, 40	50	EPA1140-50	60, 120, 180, 240	300	EPA1140-300
12, 24, 36, 48	60	EPA1140-60	70, 140, 210, 280	350	EPA1140-350
15, 30, 45, 60	75	EPA1140-75	80, 160, 240, 320	400	EPA1140-400
20, 40, 60, 80	100	EPA1140-100	90, 180, 270, 360	450	EPA1140-450
25, 50, 75, 100	125	EPA1140-125	100, 200, 300, 400	500	EPA1140-500

†Whichever is greater. Delay times referenced from input to leading edges at 25°C, 5.0V, with no load.

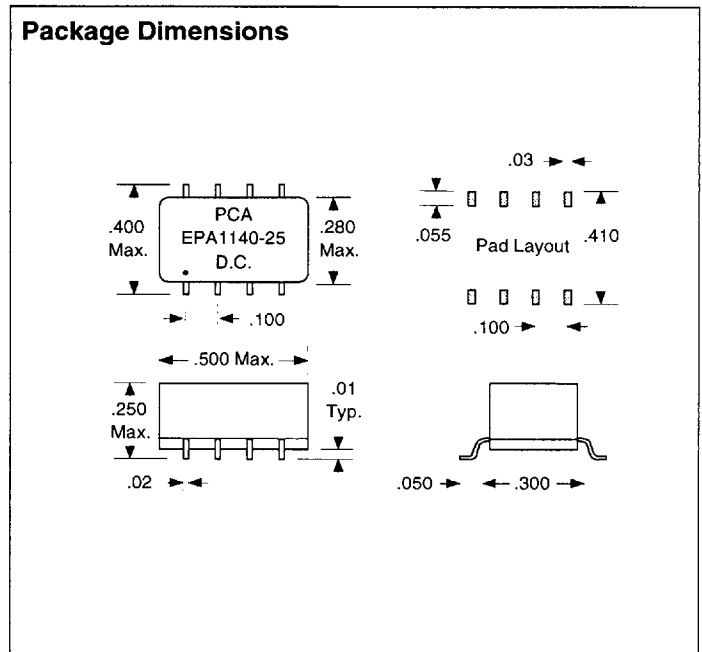
DC Electrical Characteristics			Min	Max	Unit
Parameter	Test Conditions				
V _{OH}	High-Level Output Voltage	V _{CC} = min. V _{IL} = max. I _{OH} = max	2.7		V
V _{OL}	Low-Level Output Voltage	V _{CC} = min. V _{IH} = min. I _{OL} = max		0.5	V
V _{IK}	Input Clamp Voltage	V _{CC} = min. I _I = I _{IK}		-1.2	V
I _{IH}	High-Level Input Current	V _{CC} = max. V _{IN} = 2.7V		50	µA
		V _{CC} = max. V _{IN} = 5.25V		1.0	mA
I _{IL}	Low-Level Input Current	V _{CC} = max. V _{IN} = 0.5V		-2	mA
I _{OS}	Short Circuit Output Current	V _{CC} = max. V _{OUT} = 0. (One output at a time)	-40	-100	mA
I _{CCH}	High-Level Supply Current	V _{CC} = max. V _{IN} = OPEN		75	mA
I _{CCL}	Low-Level Supply Current	V _{CC} = max. V _{IN} = 0		75	mA
T _{RO}	Output Rise Time	T _d ≤ 500 nS (0.75 to 2.4 Volts)		4	nS
N _H	Fanout High-Level Output	V _{CC} = max. V _{OH} = 2.7V		20 TTL LOAD	
N _L	Fanout Low-Level Output	V _{CC} = max. V _{OL} = 0.5V		10 TTL LOAD	



Recommended Operating Conditions		Min	Max	Unit
V _{CC}	Supply Voltage	4.75	5.25	V
V _{IH}	High-Level Input Voltage	2.0		V
V _{IL}	Low-Level Input Voltage		0.8	V
I _{IK}	Input Clamp Current		-18	mA
I _{OH}	High-Level Output Current		-1.0	mA
I _{OL}	Low-Level Output Current		20	mA
PW*	Pulse Width of Total Delay	40		%
d*	Duty Cycle		40	%
T _A	Operating Free-Air Temperature	-55	+125	°C

*These two values are inter-dependent.

Input Pulse Test Conditions @ 25° C		Unit
E _{IN}	Pulse Input Voltage	3.2 Volts
PW	Pulse Width % of Total Delay	110 %
T _{RI}	Pulse Rise Time (0.75 - 2.4 Volts)	2.0 nS
PRR	Pulse Repetition Rate @ T _d ≤ 200 nS	1.0 MHz
	Pulse Repetition Rate @ T _d > 200 nS	100 KHz
V _{CC}	Supply Voltage	5.0 Volts



DSA1140 Rev. A 2/5/96

8852109 0000587 483

QAF-CSO1 Rev. B 8/25/94

Unless Otherwise Noted Dimensions in Inches

Tolerances:
Fractional = ± 1/32
28 .XX = ± .030 .XXX = ± .010



16799 SCHOENBORN ST.
NORTH HILLS, CA 91343
TEL: (818) 892-0761
FAX: (818) 894-5791